

DOOR THICKNESS SPECIFICATIONS

• Standard Door Thickness: 1 1/4" - 2"

Standard Components:

- Privacy Pin (for privacy sets)
- Inside Passage Half Spindle
- 1 1/2" Rosette Screws
- Full-Lip Strike Plate

• **Extended** Door Thickness: 2" - 2 1/2"

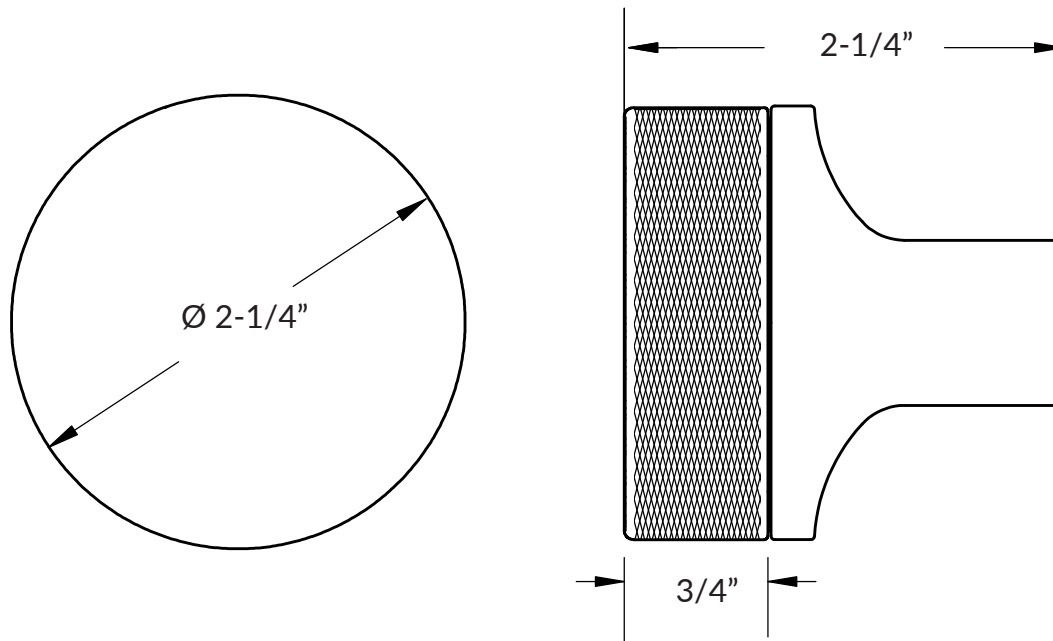
Extended Components:

- Privacy Pin w/ Extension (for privacy sets)
- Long Inside Passage Half Spindle
- 2" Rosette Screws
- Extended Full-Lip Strike Plate

• **Extended** Door Thickness: 2 1/2" - 3"

Extended Components:

- Privacy Pin w/ Extension (for privacy sets)
- Extra Long Inside Passage Half Spindle
- 2 1/2" Rosette Screws
- Extended Full-Lip Strike Plate



DOOR THICKNESS SPECIFICATIONS

- Standard Door Thickness: $1\frac{1}{4}\text{'}$ - 2'

Standard Components:

- Privacy Pin (for privacy sets)
- Inside Passage Half Spindle
- $1\frac{1}{2}\text{'}$ Rosette Screws
- Full-Lip Strike Plate

- **Extended** Door Thickness: 2' - $2\frac{1}{2}\text{'}$

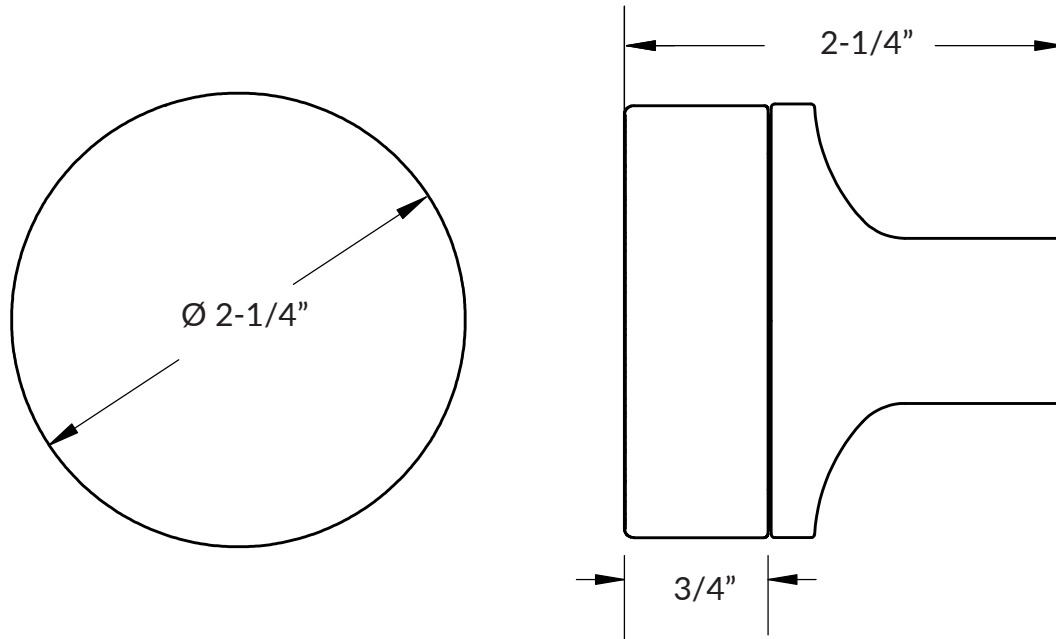
Extended Components:

- Privacy Pin w/ Extension (for privacy sets)
- Long Inside Passage Half Spindle
- 2' Rosette Screws
- Extended Full-Lip Strike Plate

- **Extended** Door Thickness: $2\frac{1}{2}\text{'}$ - 3'

Extended Components:

- Privacy Pin w/ Extension (for privacy sets)
- Extra Long Inside Passage Half Spindle
- $2\frac{1}{2}\text{'}$ Rosette Screws
- Extended Full-Lip Strike Plate



DOOR THICKNESS SPECIFICATIONS

- Standard Door Thickness: $1\frac{1}{4}\text{'}$ - 2'
- Standard Components:
 - Privacy Pin (for privacy sets)
 - Inside Passage Half Spindle
 - $1\frac{1}{2}\text{'}$ Rosette Screws
 - Full-Lip Strike Plate

- **Extended** Door Thickness: 2' - $2\frac{1}{2}\text{'}$
- Extended Components:
 - Privacy Pin w/ Extension (for privacy sets)
 - Long Inside Passage Half Spindle
 - 2' Rosette Screws
 - Extended Full-Lip Strike Plate

- **Extended** Door Thickness: $2\frac{1}{2}\text{'}$ - 3'
- Extended Components:
 - Privacy Pin w/ Extension (for privacy sets)
 - Extra Long Inside Passage Half Spindle
 - $2\frac{1}{2}\text{'}$ Rosette Screws
 - Extended Full-Lip Strike Plate