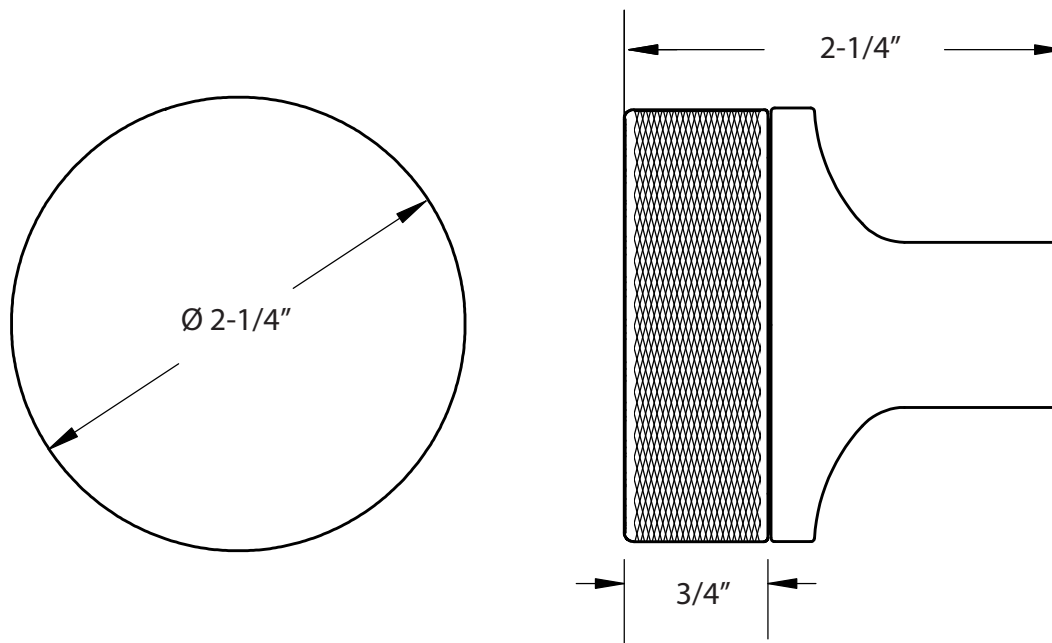


DOOR THICKNESS SPECIFICATIONS

- Standard Door Thickness: 1¼" - 2"
- Standard Components:
 - Privacy Pin (for privacy sets)
 - Inside Passage Half Spindle
 - 1½" Rosette Screws
 - Full-Lip Strike Plate

- **Extended** Door Thickness: 2" - 2½"
- Extended Components:
 - Privacy Pin w/ Extension (for privacy sets)
 - Long Inside Passage Half Spindle
 - 2" Rosette Screws
 - Extended Full-Lip Strike Plate

- **Extended** Door Thickness: 2½" - 3"
- Extended Components:
 - Privacy Pin w/ Extension (for privacy sets)
 - Extra Long Inside Passage Half Spindle
 - 2½" Rosette Screws
 - Extended Full-Lip Strike Plate

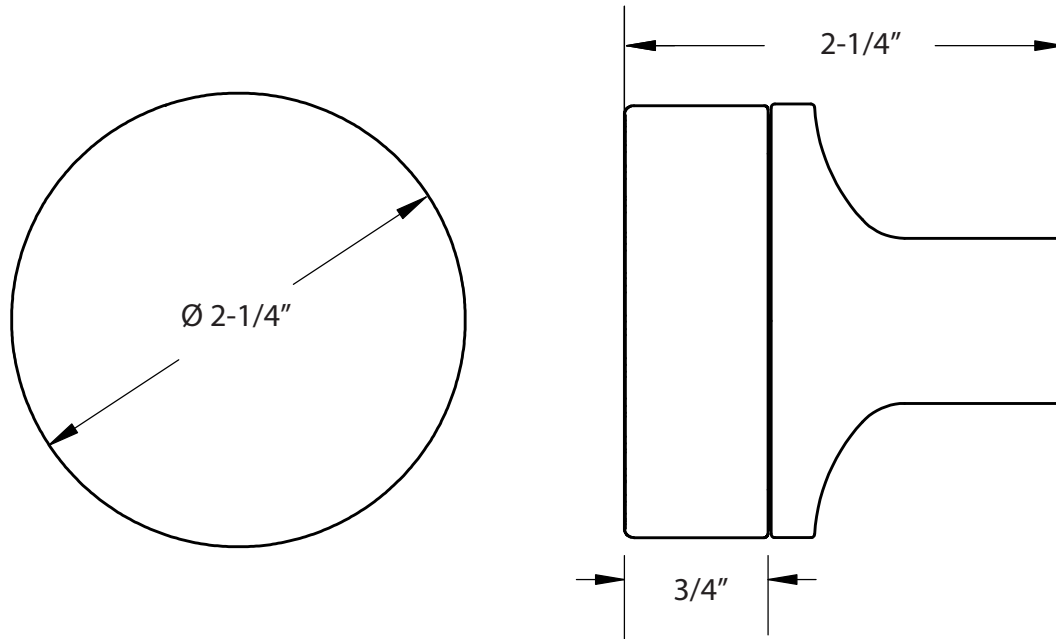


DOOR THICKNESS SPECIFICATIONS

- Standard Door Thickness: $1\text{-}1/4\text{'}$ - 2'
- Standard Components:
 - Privacy Pin (for privacy sets)
 - Inside Passage Half Spindle
 - $1\text{-}1/2\text{'}$ Rosette Screws
 - Full-Lip Strike Plate

- **Extended** Door Thickness: 2' - $2\text{-}1/2\text{'}$
- Extended Components:
 - Privacy Pin w/ Extension (for privacy sets)
 - Long Inside Passage Half Spindle
 - 2' Rosette Screws
 - Extended Full-Lip Strike Plate

- **Extended** Door Thickness: $2\text{-}1/2\text{'}$ - 3'
- Extended Components:
 - Privacy Pin w/ Extension (for privacy sets)
 - Extra Long Inside Passage Half Spindle
 - $2\text{-}1/2\text{'}$ Rosette Screws
 - Extended Full-Lip Strike Plate



DOOR THICKNESS SPECIFICATIONS

- Standard Door Thickness: $1\text{'}\text{-}1/4\text{'}$ - 2'
- Standard Components:
 - Privacy Pin (for privacy sets)
 - Inside Passage Half Spindle
 - $1\text{'}\text{-}1/2\text{'}$ Rosette Screws
 - Full-Lip Strike Plate

- **Extended** Door Thickness: 2' - $2\text{'}\text{-}1/2\text{'}$
- Extended Components:
 - Privacy Pin w/ Extension (for privacy sets)
 - Long Inside Passage Half Spindle
 - 2' Rosette Screws
 - Extended Full-Lip Strike Plate

- **Extended** Door Thickness: $2\text{'}\text{-}1/2\text{'}$ - 3'
- Extended Components:
 - Privacy Pin w/ Extension (for privacy sets)
 - Extra Long Inside Passage Half Spindle
 - $2\text{'}\text{-}1/2\text{'}$ Rosette Screws
 - Extended Full-Lip Strike Plate