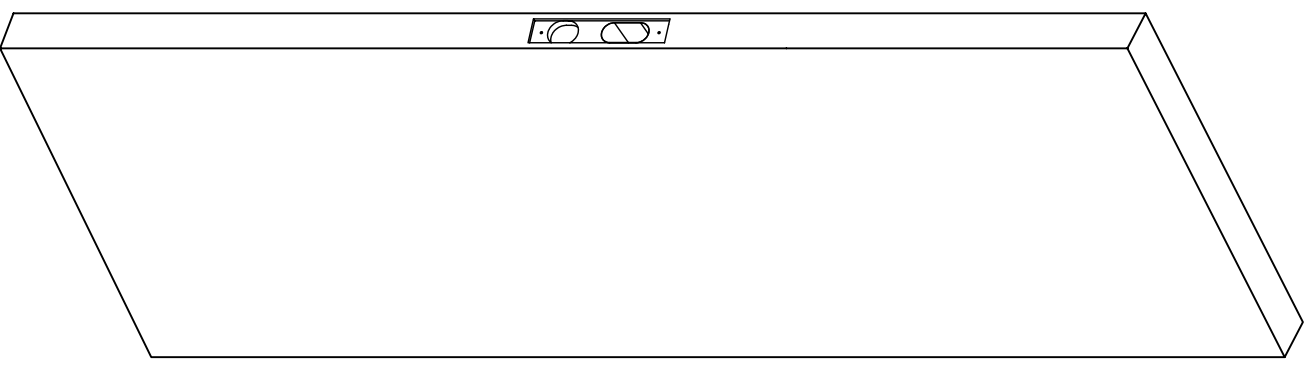
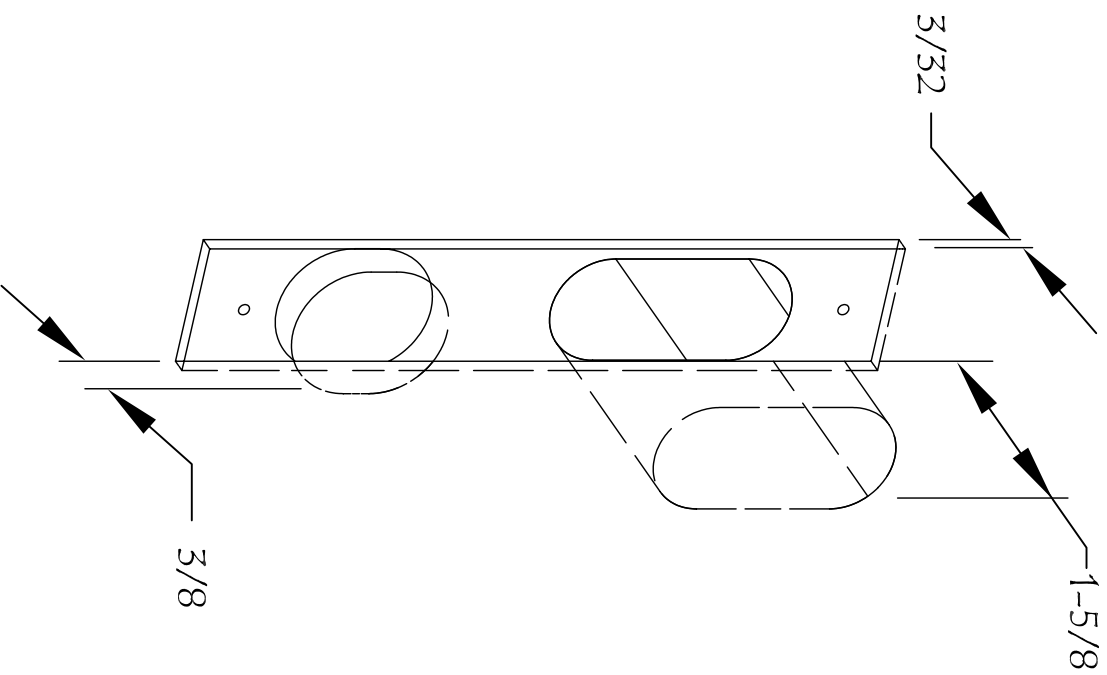
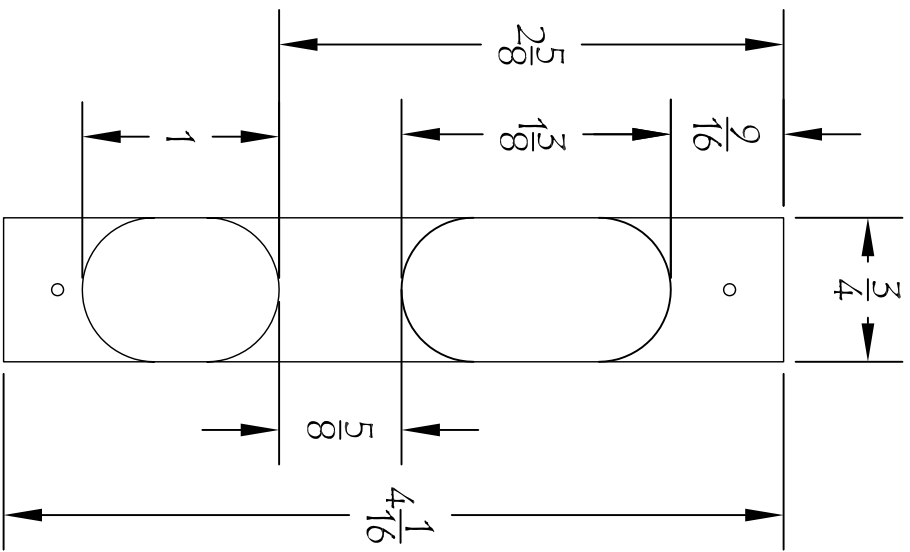


TEMPLATE - EDGE PULL



EMTEK

IN4-EDGE PULL

REV. 10/10/05