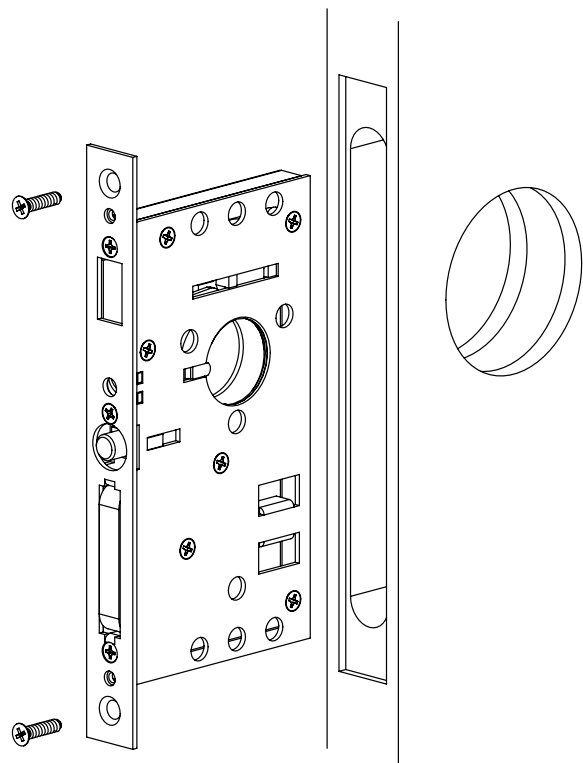


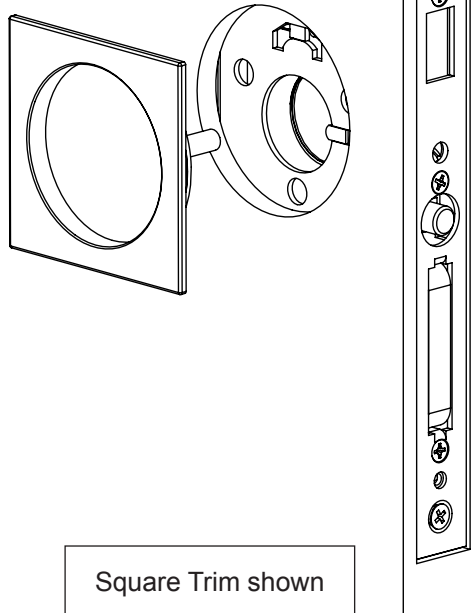
Installation Guide - Square & Round Pocket Mortise Lock - Passage and Dummy

1. Install Lock Body



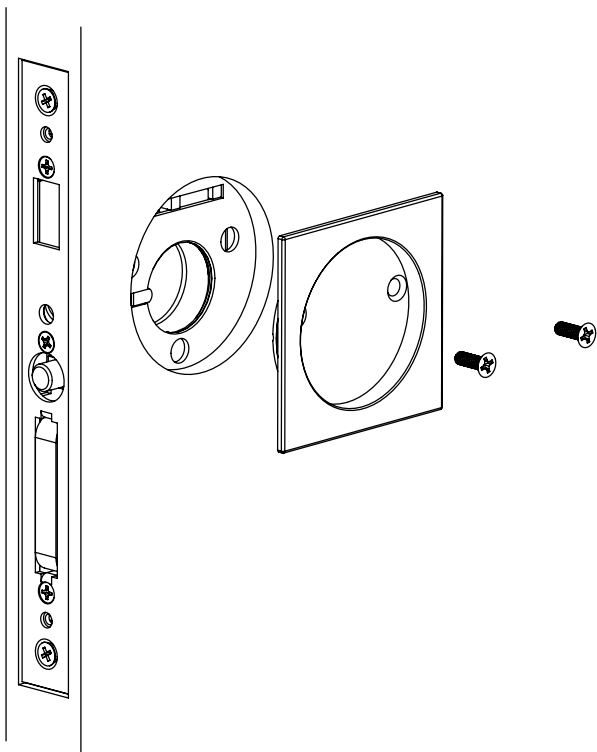
See template for door prep specifications

2. Install Outside Plate



Square Trim shown

3. Install Inside Plate



4. Install Trim Plate

